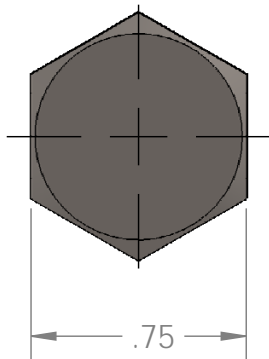
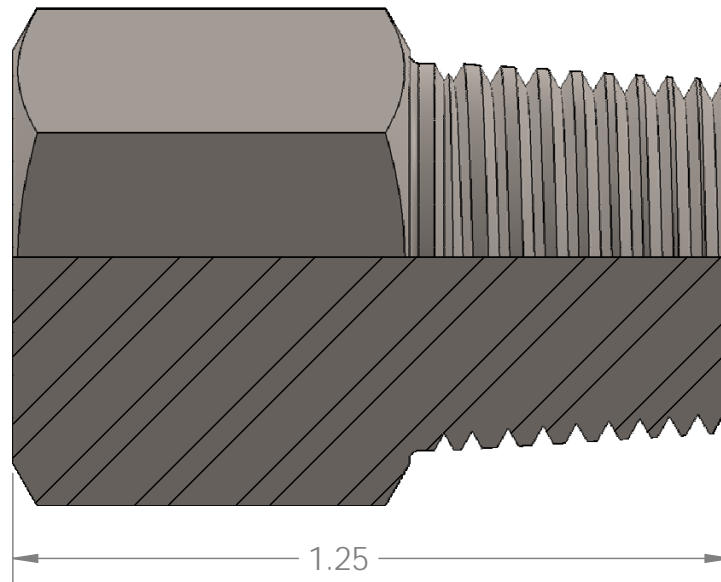
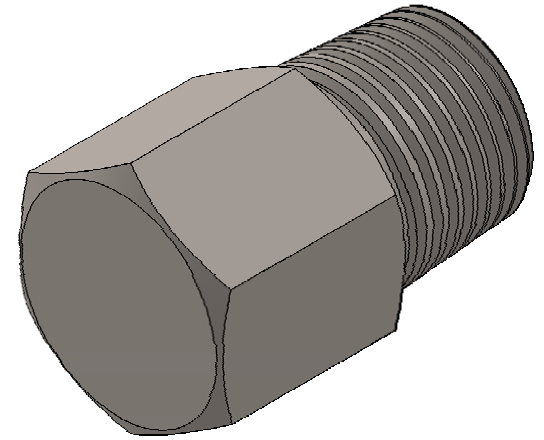




# UltraPressure components

We can handle Pressure



## 3/8" MALE NPT PLUG

MATERIAL	316L S.S.
SEALS	NONE
WORKING PRESSURE	15,000 PSI

SIZE	DWG. NO.	REV
<b>A</b>	5406P-6N	<b>0</b>

SHEET 1 OF 1

5

4

3

2

1